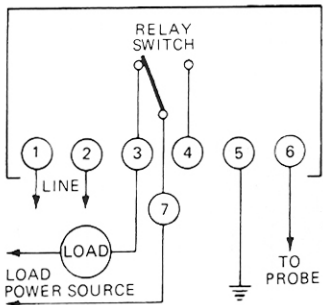
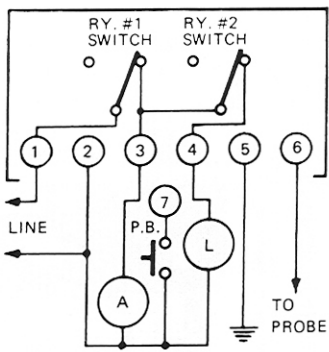


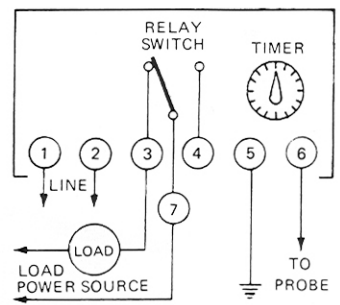
101 AND 102 SERIES



103 AND 104 SERIES

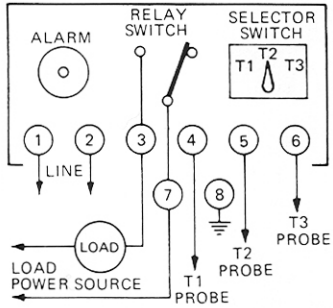


101-TD SERIES



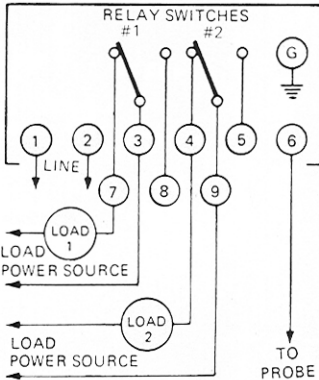
**FOR 103 SERIES,
RY. #2 SWITCH TRANSFERS
WHEN POWER IS APPLIED.**

102-T () SERIES

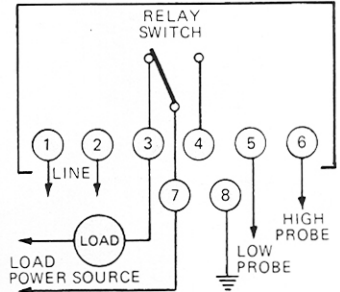


**FOR 102-T () SERIES, RELAY
SWITCH TRANSFERS WHEN
POWER IS APPLIED.**

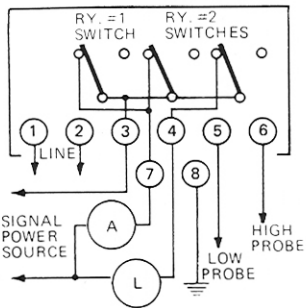
101-2 FC SERIES



201 SERIES



202 SERIES



**FOR 202 SERIES, RY. #2
SWITCHES TRANSFER WHEN
POWER IS APPLIED.**

205 SERIES

